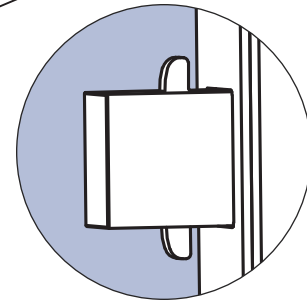
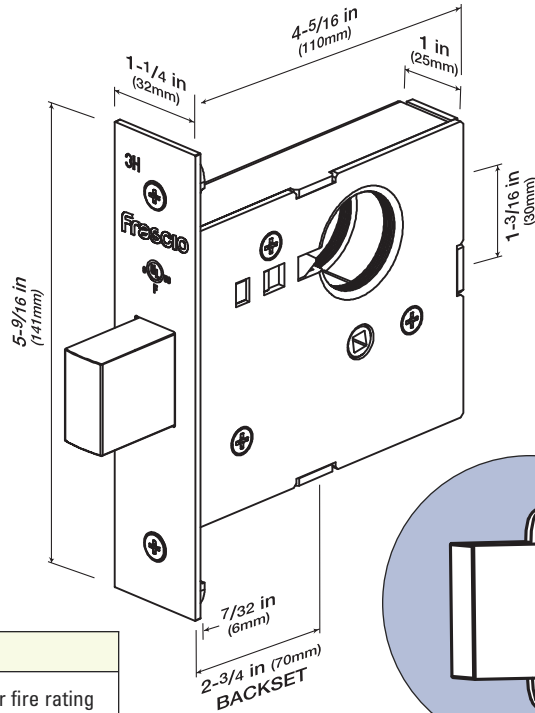


# Mortise Dead Lock



Expanding deadbolt feature of the SL2 sliding door lock

**Specifications:**

**Certifications:** ANSI A156.5, Grade 1, UL Listed for 3-Hour fire rating  
**Door Thickness:** 1-3/4" to 2-1/2", thick door configurations available  
**Deadbolt:** 1" (25mm) Projection, stainless steel  
**Backset:** 2-3/4" (70mm)

Function Code	Lockcase Function	Illustration Inside ◀ ▶ Outside	Operation
MD1	<b>CYLINDER x THUMBTURN</b>		Deadbolt thrown or retracted by key outside or thumbturn inside.
MD2	<b>CLASSROOM</b>		Deadbolt thrown or retracted by key from outside. Inside thumbturn cylinder retracts deadbolt but cannot project it.
MD3	<b>DOUBLE CYLINDER</b>		Deadbolt operated by key from either side.
MD4	<b>DOOR BOLT</b>		Deadbolt thrown or retracted by thumbturn from one side. No trim on other side.
MD5	<b>CYLINDER LOCK</b>		Deadbolt thrown or retracted by key from one side. No trim on other side.
SL2	<b>SLIDING DOOR LOCK</b>		Expanding deadbolt thrown or retracted by sliding door trim.